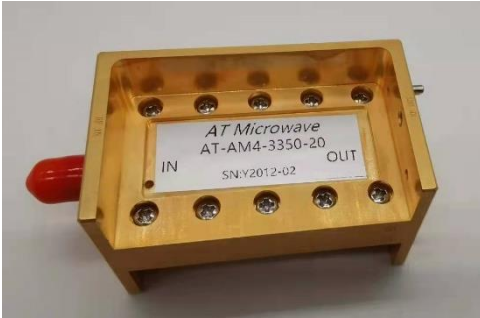


33-50GHz Balance Mixer, WR-22

2022-4-1

LO with X4 AMC (Amplified Multiplier Chain)



(示意图, 实物图待添加)

Description:

AT-4MIX-3350H is an up and down balance mixer covering 33-50GHz based on GaAs MMIC technology.

RF Port frequency range is from 33-50GHz with WR-22 connector. LO range is 8.25-12.5GHz as X4 multiplier inside on LO chain. IF port frequency from DC to 20GHz with SMA Female connector.

More information, please visit www.atmicrowave.com

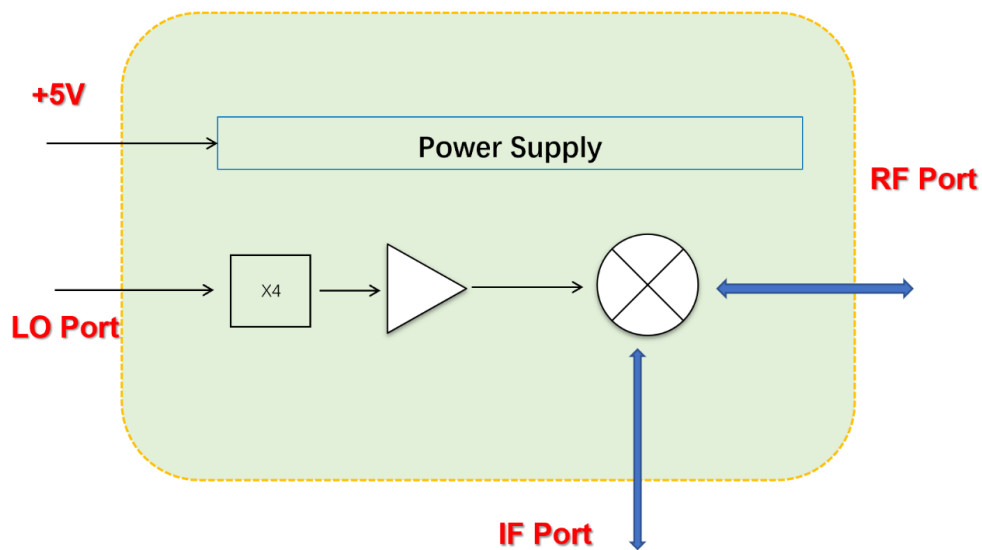
Feature

- ✓ RF Range: 33-50GHz
- ✓ LO Range: 8.25-12.5GHz
- ✓ Low Conversion Loss
- ✓ High RF/LO Isolation

Application

- ✓ Automotive Test
- ✓ Test Equipment
- ✓ ROF (RF Over Fiber)
- ✓ Radar System

Diagram Block





AT-4MIX-3350H

33-50GHz Balance Mixer Integrated with x4

Electronical Specifications: (IF=100MHz if not specified)

Parameter	Min	Typical	Max
RF Frequency		33-50GHz	
IF Range		DC-20GHz	
Conversion Loss (IF=100MHz)		-8dB	-12dB
LO Input Frequency		8.25-12.5GHz	
LO Driver	+10	+13dBm	+15
LO Multiplier Factor		X4	
IF Input P1dB		+8dBm	
4XLO to RF Leakage		-20dBm	
Vdd		+5V	+8V
Idd		0.5A	
Spec Temp		25C	





AT-4MIX-3350H

33-50GHz Balance Mixer Integrated with x4

Mechanical Information

Item	Description
RF Port	WR-22
LO Port	SMA Female
IF Port	SMA Female
Case Material	Copper
Finish	Gold Plated
Weight	130g
Size:	See outline

Absolute Maximum Ratings Table

Parameter	Value
IF Power	+15dBm
RF Power	+20dBm
LO Power	+23dBm
Vdd	+9V
Operating Temperature	-20 to +70C
Storage Temperature	-65 to +150C

Notes:

1. Datasheet may be changed according to update of MMIC, Raw materials , process, and so on.
2. This data is only for reference, not for guaranteed specifications.
3. Please contact AT Microwave team to make sure you have the most current data.



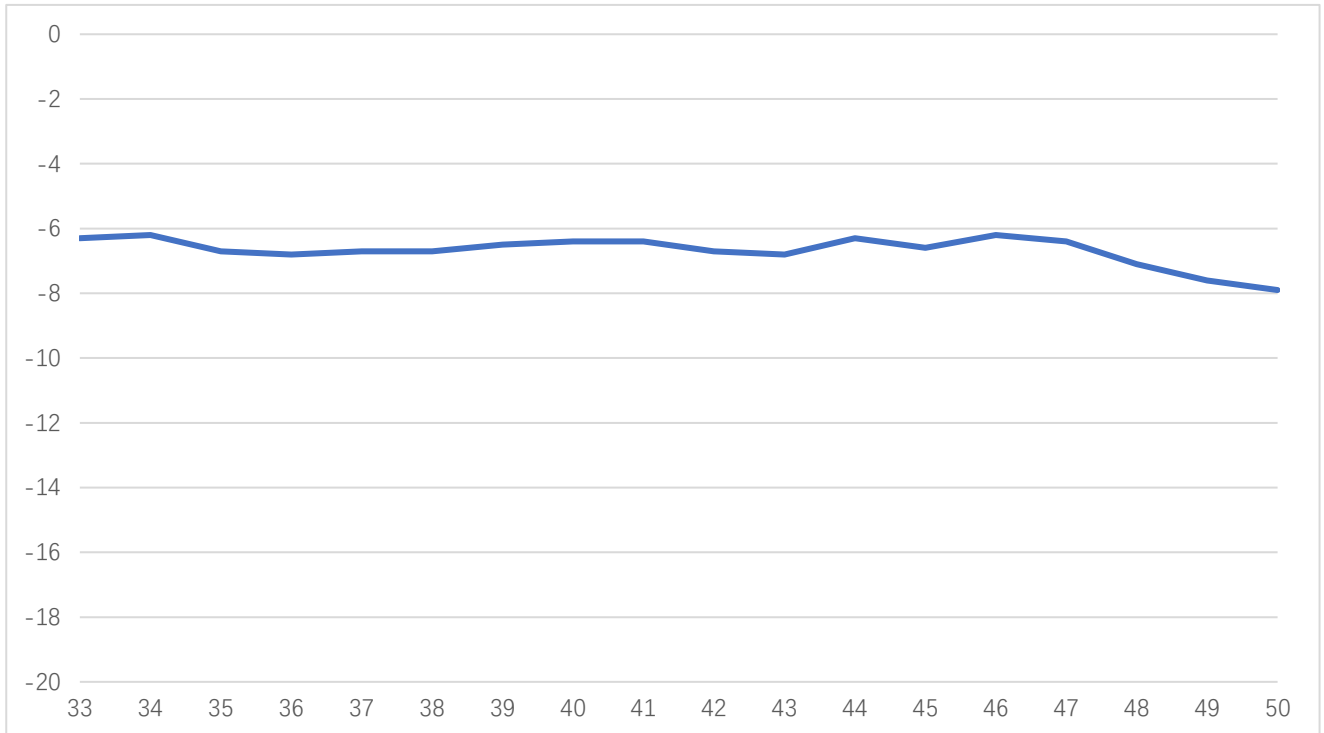


AT-4MIX-3350H

33-50GHz Balance Mixer Integrated with x4

Test Data (25C)

Please note that test curves will vary slightly from unit to unit.



Conversion Loss vs Frequency, Lf=100MHz

Dimension (mm)

TO BE ADDED.

